

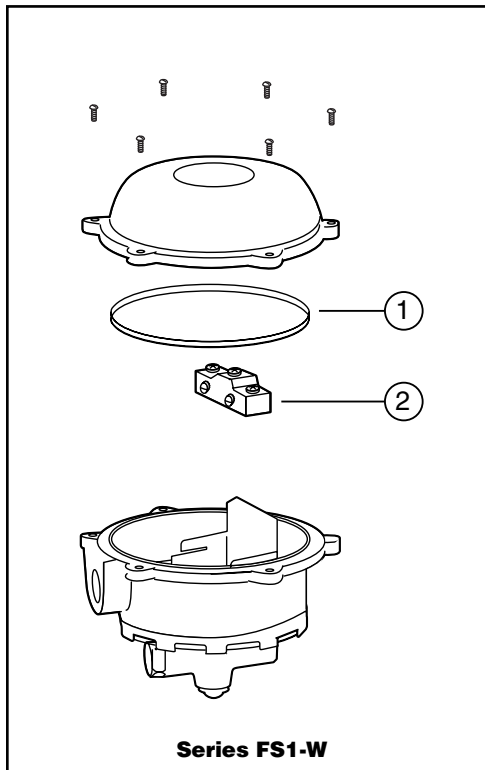
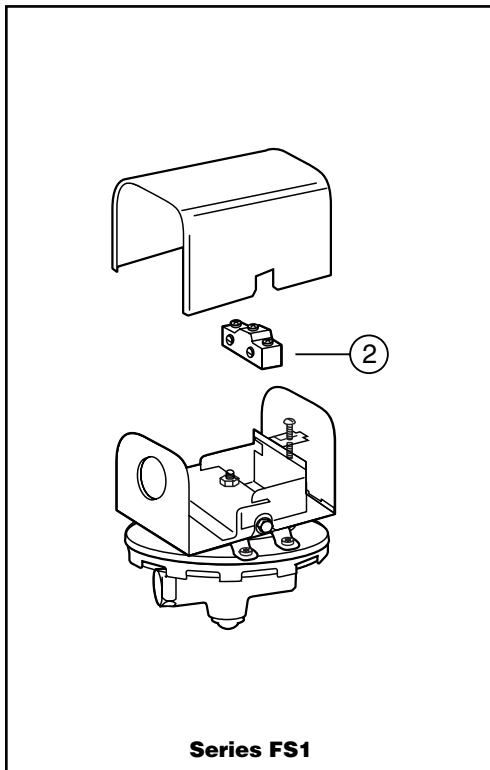


## Flow Switches – Liquid

### Series FS1 & FS1-W High Sensitivity Liquid Flow Switches

#### Components

Item Number	Part Number	Model Number	Description	Weight lbs. (kg)
1	300311	GSKT-FS1/6W	O-ring	0.1 (.05)
2	304300	FS1-17	Switch	0.3 (.14)



FLOW SWITCHES